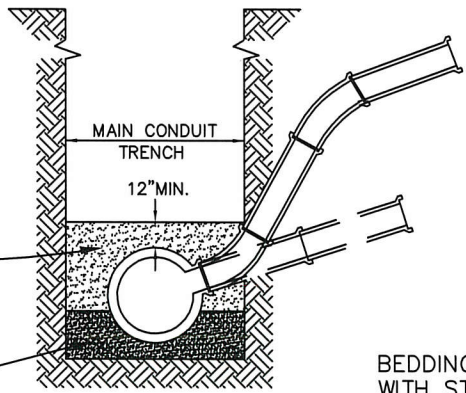


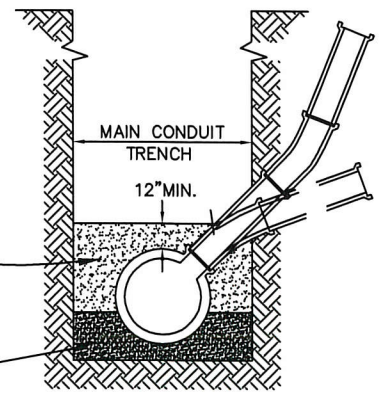
BACKFILL IN ACCORDANCE WITH 603.10

BEDDING IN ACCORDANCE WITH STANDARD DRAWING ACC. NO. 49032

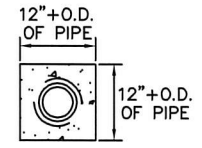


BACKFILL IN ACCORDANCE WITH 603.10

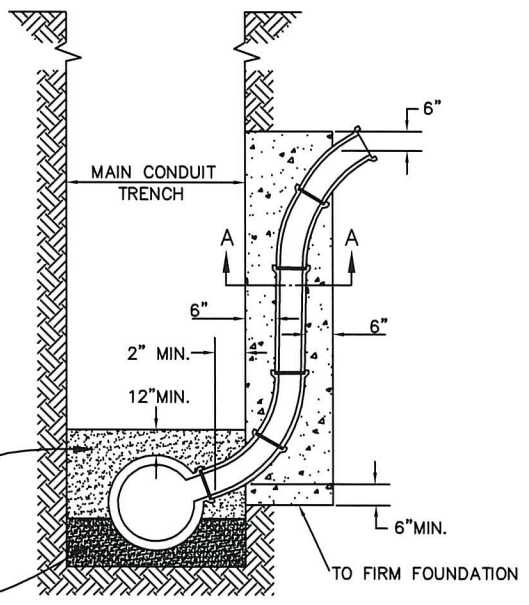
BEDDING IN ACCORDANCE WITH STANDARD DRAWING ACC. NO. 49032



BACKFILL IN ACCORDANCE WITH 603.10



SECTION A-A



BACKFILL IN ACCORDANCE WITH 603.10

BEDDING IN ACCORDANCE WITH STANDARD DRAWING ACC. NO. 49032

**NOTE:**

STACKS SHALL BE BUILT OF CONCRETE LAID UP IN 1:2 PORTLAND CEMENT MORTAR, OR ALTERNATIVE CONSTRUCTION OF 6" OF CLASS "E" CONCRETE.

ALL BENDS SHALL BE 30°, OR 22 1/2° FOR PVC PIPE, AS NOTED.

SEE ACC. NO. 49060 FOR INSTALLATION OF BUILDING SEWER LATERAL.

THE  
METROPOLITAN SEWER DISTRICT  
OF  
GREATER CINCINNATI

**TYPICAL  
BUILDING SEWERS AND STACKS**

NO SCALE

DATE: JUNE, 2009

APPROVED: *Thomas H. Schwiier*  
SEWERS CHIEF ENGINEER