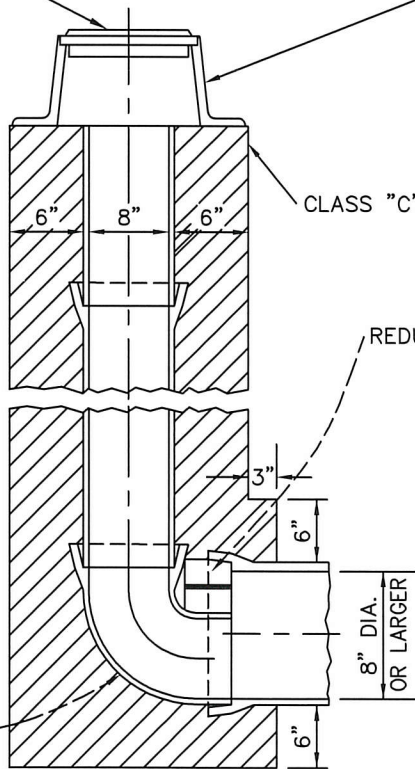


**PLAN**

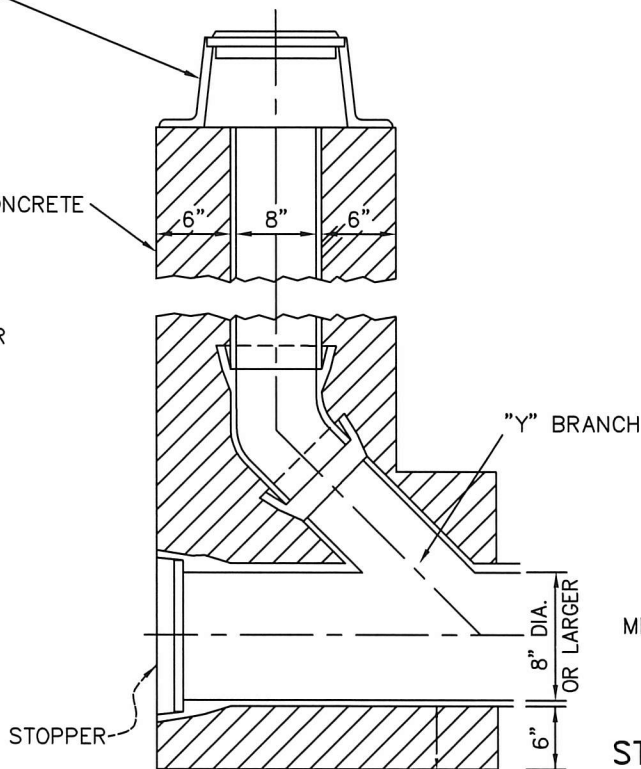
(WITH CASTING REMOVED)

LID SHALL BE LABELED  
MSDGC WITH 3/4" LABELS

LAMP HOLE FRAME AND COVER  
CASTING No.  
EAST JORDAN 1578  
NEENAH R 1976  
OR SATISFACTORY EQUIVALENT



**SECTION A-A**



**ALTERNATE  
SECTION A-A**  
(WHEN SPECIFIED)

THE  
METROPOLITAN SEWER DISTRICT  
OF  
GREATER CINCINNATI

**STANDARD LAMP HOLE**

NO SCALE

DATE: JUNE, 2009

APPROVED: *Thomas J. Schweins*  
SEWERS CHIEF ENGINEER

B.W.

ACC. NO. 49009