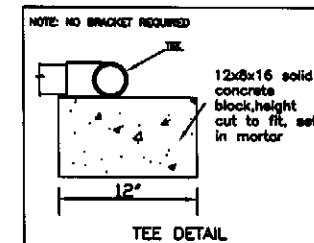
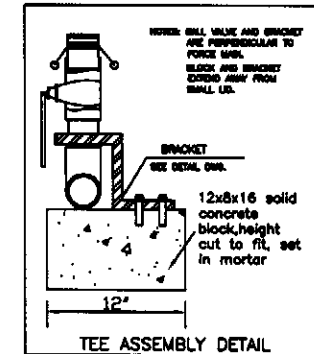
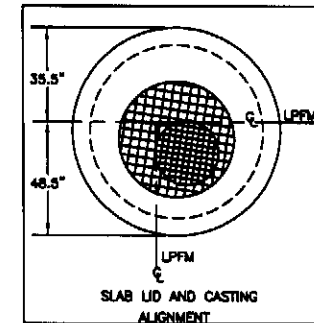


NOTE:
Ball Valves and Tee Assemblies
are vertical to LPPFM but are
shown horizontal for clarity.



THE
METROPOLITAN SEWER DISTRICT
OF
GREATER CINCINNATI
**3" LOW PRESSURE FORCE MAIN
RIGHT TEE FLUSHING CHAMBER**